

**Pool Breakdown**  
**Zanzibar 30' Round 54"**  
**NB2720**

<b><u>FEATURES:</u></b> Round Size: 30q Depth: 54+ 30 Year Warranty	<b><u>STRUCTURE COMPOSITION:</u></b> Resin Top Rail Resin Seat Covers Steel Uprights Steel Sidewall
---------------------------------------------------------------------------------	-----------------------------------------------------------------------------------------------------------------

	Qty	Carton #	Carton Content Description
<input type="checkbox"/>	1	<b>3054-8RV-EX-2</b>	ZANZIBAR - TOP SEAT; VERTICAL; WARRANTY; SAFETY DECALS; PARTS LIST+FRAME INSTRUCTION; SAFETY BOOKLET; ROUND INSTRUCTION
<input type="checkbox"/>	1	<b>30-5/8RAIL-2</b>	ZANZIBAR - 5/8+RAIL
<input type="checkbox"/>	1	<b>30-8PR-EX-3</b>	ZANZIBAR - SEAT COVER; SEAT COVER BRACKET; SHEET METAL SCREW; SEAT COVER CAP
<input type="checkbox"/>	1	<b>3054-SNS-W</b>	ZANZIBAR - PLASTIC EDGING; TRUSS HEAD SCREW; REINFORCING WASHER; NUT; WALL

# Carton Breakdown

## Zanzibar 30' Round 54"

### NB2720

	Key #	Qty	Item #	Mfg Part #	Part Description
<b>FRAME CARTON # 3054-8RV-EX-2</b>					
<input type="checkbox"/>	1	20	NBP1202	2385	8in Vertical (54+High)
<input type="checkbox"/>	6	20	NBP1201	1100	8in Resin Top Seat L=1444mm (56-7/8+)
<input type="checkbox"/>	---	1	-----	0022	Warranty
<input type="checkbox"/>	---	1	-----	0023	Safety Decals
<input type="checkbox"/>	---	1	-----	0024	Parts List + Frame Instruction
<input type="checkbox"/>	---	1	-----	0025	Safety Booklet
<input type="checkbox"/>	---	1	-----	0001	Round Instructions
<b>RAIL CARTON # 30-5/8RAIL-2</b>					
<input type="checkbox"/>	4	40	NBP1108	1630	5/8in Rail L=1431mm (56-3/8+)
<b>FRAME CARTON # 30-8PR-EX-3</b>					
<input type="checkbox"/>	2	20	NBP1061	2176	7in Resin Joint - Upper
<input type="checkbox"/>	7	20	NBP1047	2483	8in Seat Cover Bracket
<input type="checkbox"/>	8	20	NBP1046	2482	8in Seat Cover
<input type="checkbox"/>	10	20	NBP1062	2276	7in Resin Joint - Lower
<b>Seat Cover Assembly Bolt Package (Order # NBP1203)</b>					
<input type="checkbox"/>	3	220	NBP1203	0341*	#12 Sheet Metal Screw
<input type="checkbox"/>	3	20	NBP1203	0345*	5mm x 40mm Sheet Metal Screw
<input type="checkbox"/>	3	20	NBP1203	2402*	Resin Seat Cover Cap

\*These part #s are not available to purchase separately. They must be purchased as the Seat Cover Assembly Bolt Package, Order # NBP1203

# Carton Breakdown

## Zanzibar 30' Round 54"

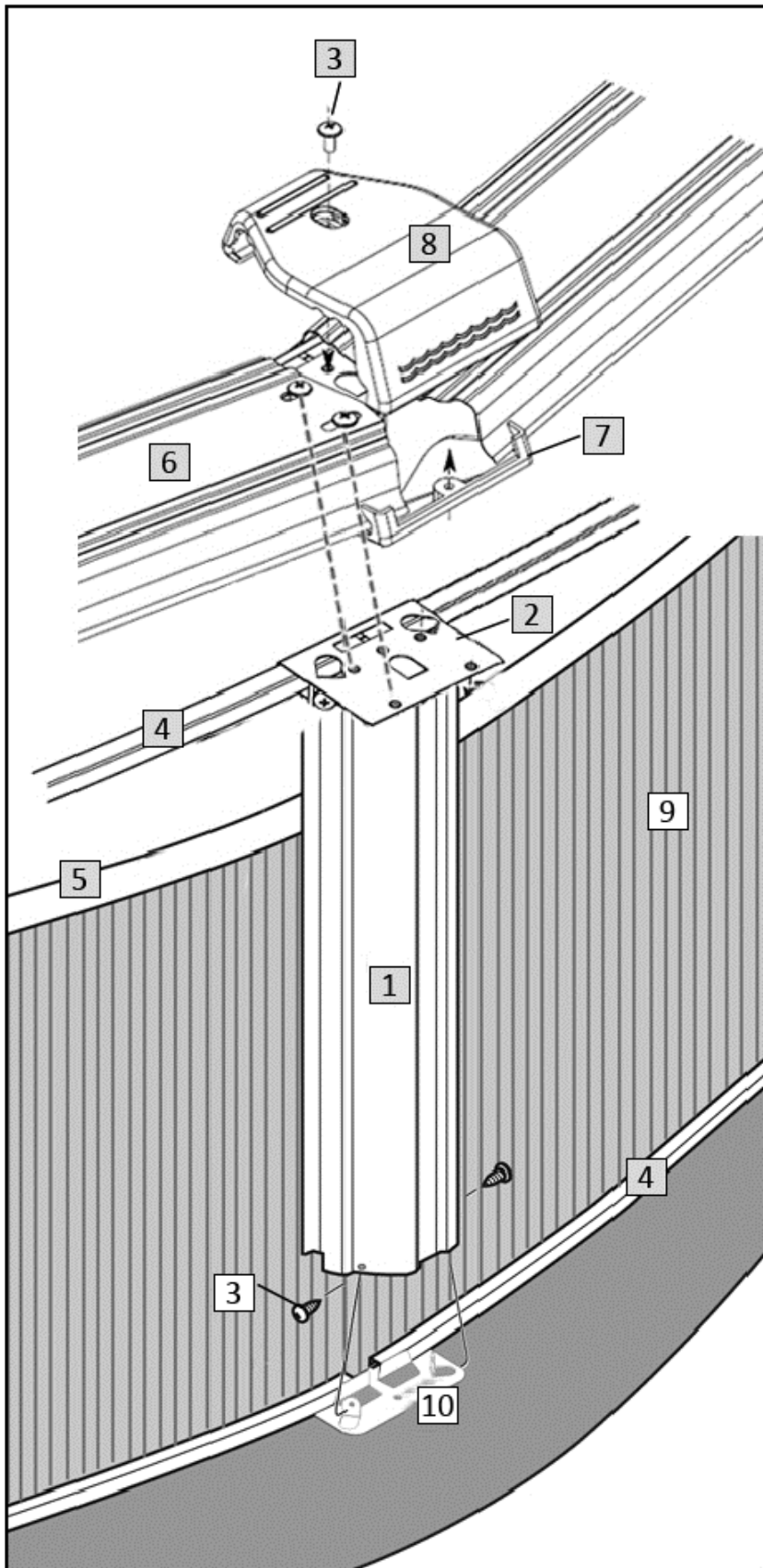
### NB2720

Key #	Qty	Item #	Mfg Part #	Part Description	
<b>WALL CARTON # 3054-SNS-W</b>					
<input type="checkbox"/>	5	22	NL107	8100	Plastic Edging
<input type="checkbox"/>	9	1	PC5277	54+Wall	Steel Sunset Gray Wall A
<input type="checkbox"/>	9	1	PC5278	54+Wall	Steel Sunset Gray Wall B
<b>54" Wall Joint Bolt Package (Part # 0114, Order # NBP1067)</b>					
<input type="checkbox"/>	3	27	NBP1067	0513*	1/4"x 1/2" Truss Head Screw
<input type="checkbox"/>	3	53	NBP1067	0411*	1/4" Reinforcing Washer
<input type="checkbox"/>	3	27	NBP1067	0611*	1/4" Nut

\*These part #s are not available to purchase separately. They must be purchased as the Wall Joint Bolt Package, Order # NBP1067

# Zanzibar 30' Round 54"

NB2720



Key #	Part Description	Item #
1	8in Vertical	NBP1202
2	Resin Upper Joint	NBP1061
3	Seat Cover Hardware	NBP1203
3	Wall Joint Hardware	NBP1067
4	5/8+Rail	NBP1108
5	Plastic Edging	NL107
6	8in Resin Top Seat	NBP1201
7	8in Seat Cover Bracket	NBP1047
8	8in Seat Cover	NBP1046
9	Wall A	PC5277
9	Wall B	PC5278
10	Resin Lower Joint	NBP1062